

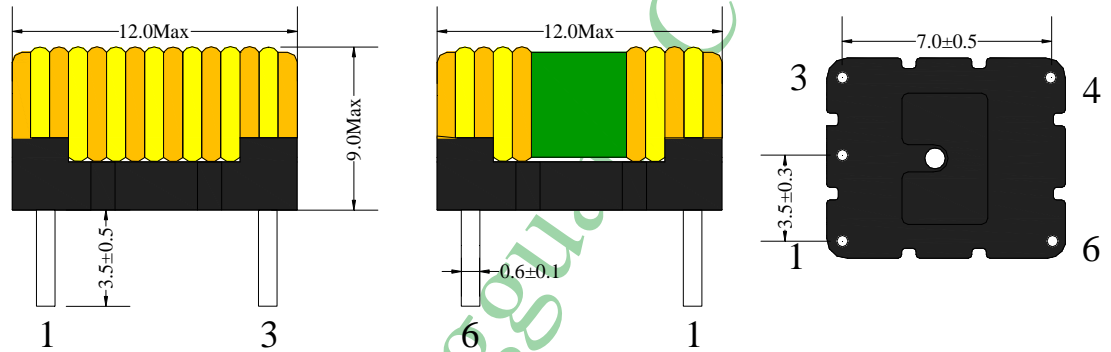


Common Mode Choke

PTL953 Series

Parameters/Dimensions:

PTL953 Type 1



Information:
Shape:T9*5*3
1 Mounting Orientation: Horizontal
2 Size: 12 (W) *12 (L) * 9 (H)
3 Material: Zinc fierce high conductivity

Note:

Core Material:Zinc fierce high conductivity

TL9*5*3 series Common Mode Choke features:

Small size, easy installation, low temperature, high efficiency.

Uses:

For T5 / T8 / T10 fluorescent tubes built-in power supply,With EDR series transformers.